

## AC/DC Switching Adapter - Single Output

## ITE/Medical AC/DC Power Adaptor AD-A11 Series 110Watts US DOE & EU ErP Efficiency Compliant

### FEATURES

- ITE 60950-1, 62368-1 & Medical 60601-1 approvals.
- 2-Pole AC inlet IEC320-C8 Class II
- Medical safety approved ( 2x MOPP between primary to secondary )
- Suitable for BF application with appropriate system consideration.
- Altitude : ITE / Medical up to 5000m.
- $\leq 0.15W$  No Load Input Power
- Touch current less than 100uA
- Rectangular plastic case with IP41 level
- 3 years warranty



### ELECTRICAL SPECIFICATIONS

- Input range : 90 - 264VAC
- Frequency : 47 - 63Hz
- Power Factor : > 0.95 @115VAC; > 0.90 @230VAC @full load
- Inrush current : < 50A peak @115VAC; < 120A peak @230VAC cold start @25°C
- Input current (rms) : 2A @90VAC; 1.25A @264VAC max.
- Touch current < 100uA @264Vac
- Efficiency : > 89% @Average efficiency, 115/230VAC
- Hold-up time : > 10ms typical @full load, 115VAC
- Short Circuit Protection: Auto-recovery
- Over Load Protection: Auto-recovery
- Over Voltage Protection: latch off

### RoHS Compliant

Dimension : L140 × W63 × H33 mm ( 5.5" × 2.48" × 1.29")  
Weight : 0.5 kgs. ( 1.10 lbs. )

### ENVIRONMENTAL

- Operating temperature : -20 to +60°C (Refer to derating curve )
- Operating Humidity: 0%~95% , non-condensing.
- Storage temperature : -20°C to +85°C
- Storage Humidity: 0%~95% , non-condensing.
- MTBF : 350,000 hours min. at full load and 25°C ambient temperature(Base on Bellcore TR-332)

### SAFETY STANDARDS

UL/c-UL 60601-1 3.1<sup>rd</sup> Edition  
TUV EN60601-1 3.1<sup>rd</sup> Edition  
CB IEC60601-1 3.1<sup>rd</sup> Edition  
UL/c-UL UL60950-1  
UL/c-UL UL62368-1  
TUV EN60950-1  
TUV EN62368-1  
CB IEC 60950-1  
CB IEC 62368-1  
SGS IEC/EN 60601-1-11 2<sup>nd</sup> Ed.

### EMC STANDARDS

EN60601-1-2 Ed4:2015  
IEC60601-1-2 Ed4:2014  
EN 55011 Class B  
EN55032 Class B  
EN55024 Class B  
FCC Part 15 Class B  
FCC Part 18 Class B  
CE

### DC OUTPUT & FEATURES

Model	Output Rating		Po	O/P Regulation	Ripple & Noise (Vp-p)	DOE Efficiency
PW-IM105A-1Y120N	12V	8.75A	105W	+/- 5%	150mV	VI
PW-IM110A-1Y150N	15V	7.34A	110W	+/- 5%	150mV	VI
PW-IM110A-1Y190N	19V	5.79A	110W	+/- 5%	150mV	VI
PW-IM110A-1Y240N	24V	4.59A	110W	+/- 3%	150mV	VI
PW-IM110A-1Y280N	28V	3.93A	110W	+/- 3%	150mV	VI
PW-IM110A-1Y360N	36V	3.06A	110W	+/- 3%	150mV	VI
PW-IM110A-1Y480N	48V	2.29A	110W	+/- 3%	150mV	VI

Not 1. Ripple and noise are measured at oscilloscope 20MHz bandwidth by a 47uF electrolytic capacitor and a 0.1uF ceramic capacitor in parallel at output connector.

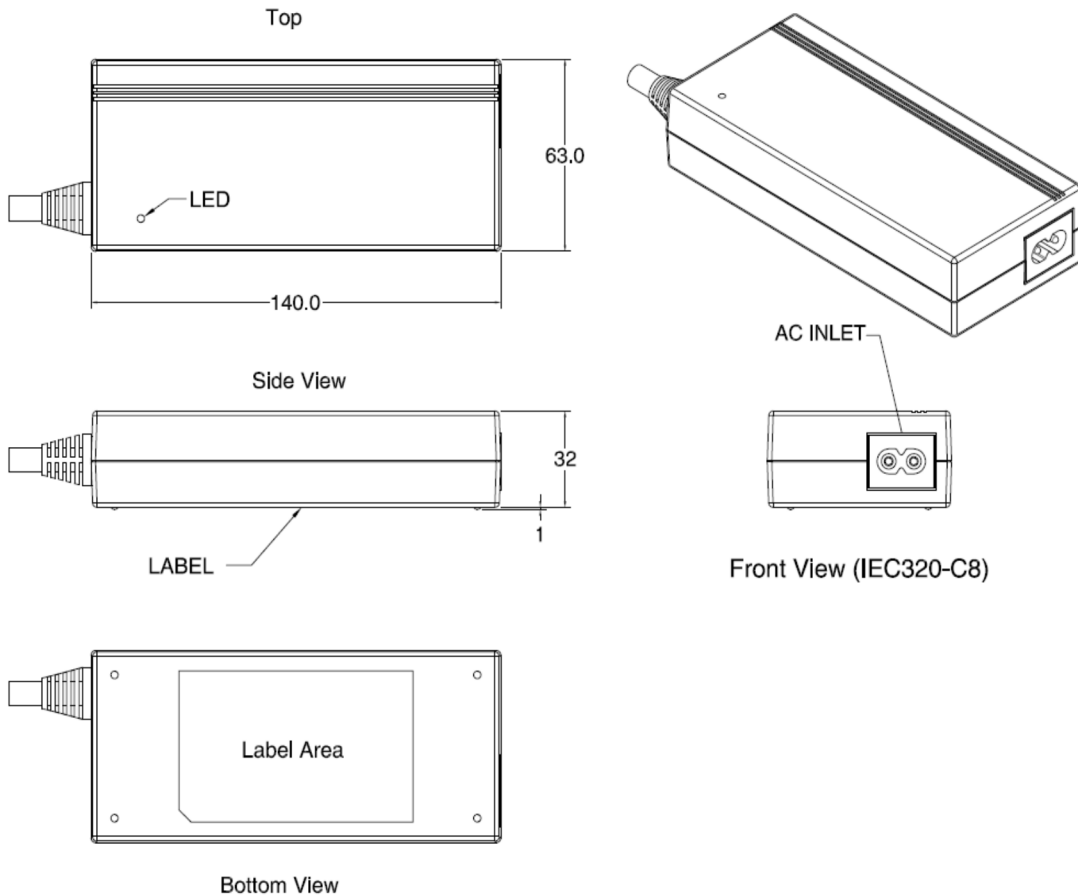
**COX** コックス株式会社

福岡県久留米市百年公園1-1  
久留米リサーチセンタービル7F  
TEL:0942-46-1285 FAX:0942-46-1286  
info@cox4.co.jp

## AC/DC Switching Adapter - Single Output

ITE/Medical AC/DC Power Adaptor  
AD-A11 Series 110Watts  
US DOE & EU ErP Efficiency Compliant

## MECHANICAL SPECIFICATION



Dimension : L140(5.511") x W63(2.48") x H33(1.29")mm  
NOTE : TOLERANCE: +/-1mm(0.04")(LxWxH)

- Note:
1. AC Inlet : IEC320-C8
  2. Power ON LED
  3. Plastic Case Color : Black
  4. Tolerance :  $\pm 0.5$ mm
  5. Unit : mm

## STANDARD OUTPUT CABLE

1. AWM 11353#14 1C+Shielding, UL 80°C 300V VW-1, 1000mm.
2. AWM 11353#16 1C+Shielding, UL 80°C 300V VW-1, 1000mm.
3. Depends on customers requirements.

**COX** コックス株式会社

福岡県久留米市百年公園1-1  
久留米リサーチセンタービル7F  
TEL:0942-46-1285 FAX:0942-46-1286  
info@cox4.co.jp

REV. 2.4